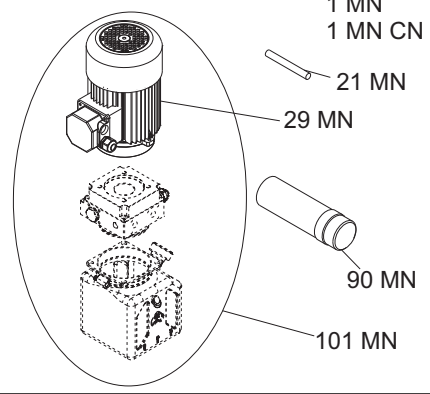


# Ver. 1-PHASE 230/50/1



1 MN  
1 MN CN



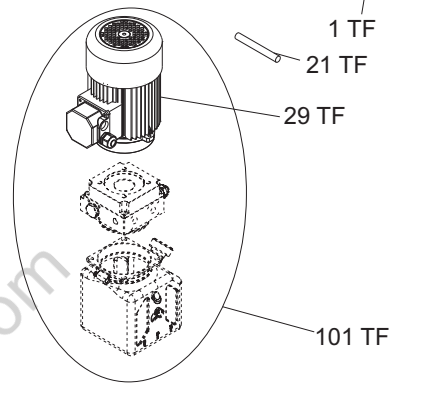
21 MN  
29 MN

90 MN  
101 MN

# Ver. 3-PHASE 400/50/3



1 TF  
21 TF



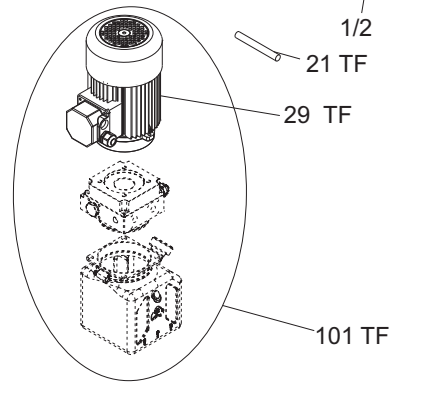
29 TF

101 TF

# Ver. 230/TF



1/2  
21 TF



29 TF

101 TF

